

Technical
Product Specifications:

PIPE CLAMPS

Approval/calculation possibilities:

- NZS1170.5:2009
- NZS 4219:2009
- AS/NZS 4680:2006



FDG PIPE CLAMPS

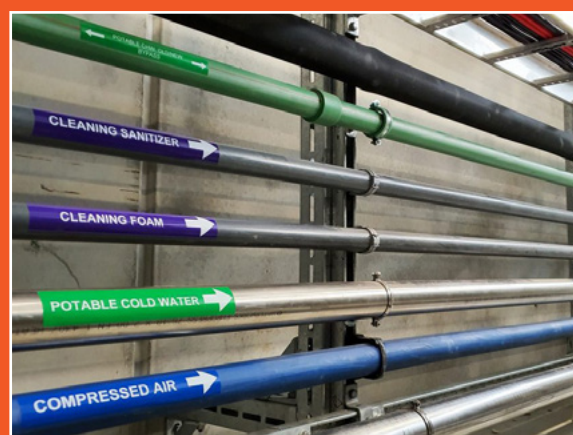
FDG Pipe Clamps are designed to simplify and reduce the cost of supporting pipework and tube. Our Pipe Clamps can be used for a variety of weight bearing capacities, from small refrigeration tubing, through to larger industrial and infrastructure piping. FDG's pipe clamps are ideal for use in conjunction with our FDG Strut and ModFrame systems.

FDG has a wide range of pipe clamps including Rubber Lined Quick Lock Pipe Clamps, Double Bolted Clamps, Saddle clamps, Yoke clamps, U-Bolts, and AON Listed Welded Boss Pipe Clamps. These are available in Zinc Plate, Hot Dip Galv and SS316 Stainless Steel, these can also custom painted to meet your architectural requirements.

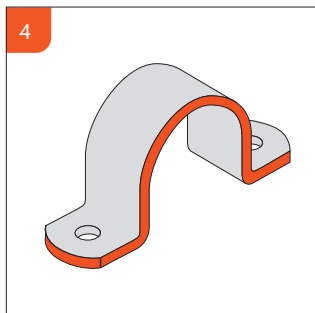
All our Pipe Clamps are manufactured to industry standards and however custom solutions can be produced to suit your individual requirements. Talk to our team today.

Advantages of using FDG PIPE CLAMPS

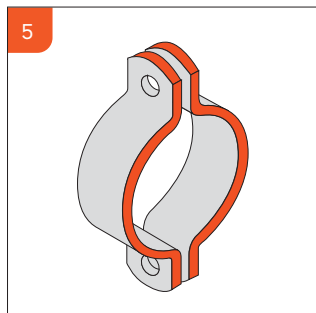
- Saves you time and money.
 - Supports a wide range of loads.
 - Huge range of sizes, finishings and fittings.
 - Works in conjunction with FDG Strut and ModFrame systems.
 - Corrosion Resistant.
 - Simple and easy to install.
-



Contents



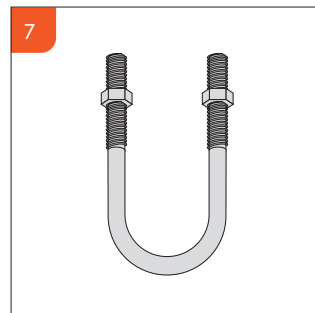
FDG SADDLE CLAMP
Light Duty



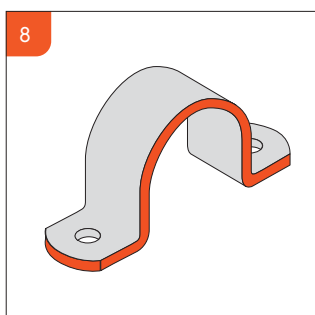
FDG TWO-PIECE PIPE CLAMP
Light Duty



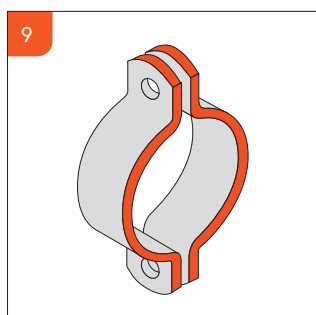
FDG TWO-PIECE YOKE CLAMP
Light Duty



U-BOLTS



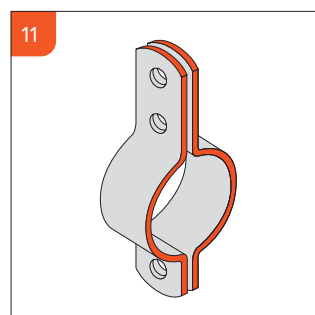
FDG SADDLE CLAMP
Medium Duty



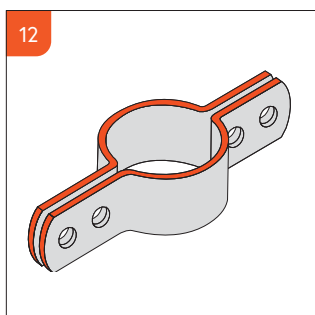
FDG TWO-PIECE PIPE CLAMP
Medium Duty



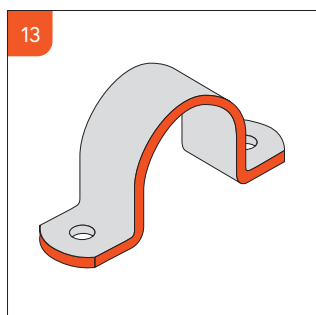
FDG TWO-PIECE YOLK CLAMP
Medium Duty



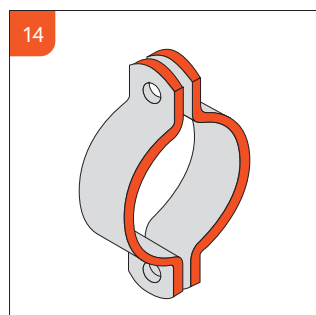
FDG THREE BOLT PIPE CLAMP
Medium Duty



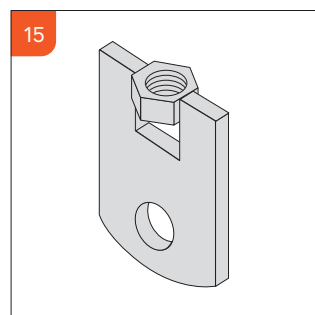
FDG VERTICAL PIPE CLAMP
Medium Duty



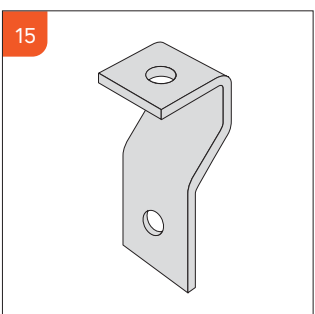
FDG SADDLE CLAMP
Heavy Duty



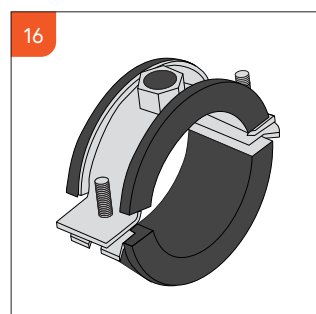
FDG TWO-PIECE PIPE CLAMP
Heavy Duty



EYE NUTS



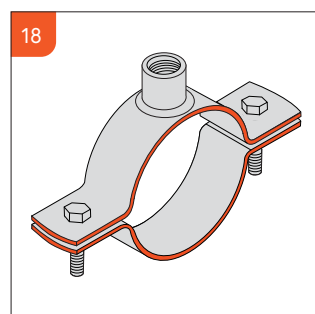
CLEVIS HANGER



**FDG RUBBER LINED QUICK
LOCK BOSS CLAMP**
Light Duty



**FDG RUBBER LINED
DUCT CLAMP**
Light Duty

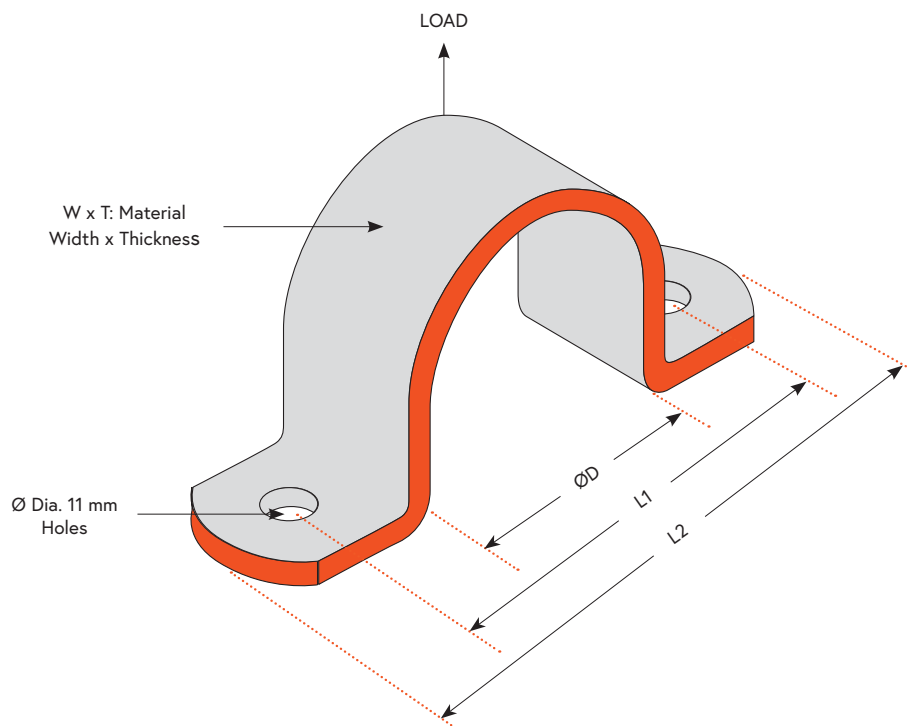


FDG WELDED BOSS CLAMP
Medium Duty

FDG Saddle Clamp

Light Duty

- **Safety Factor:** 2.5
- **Finish:** HDG or SS316



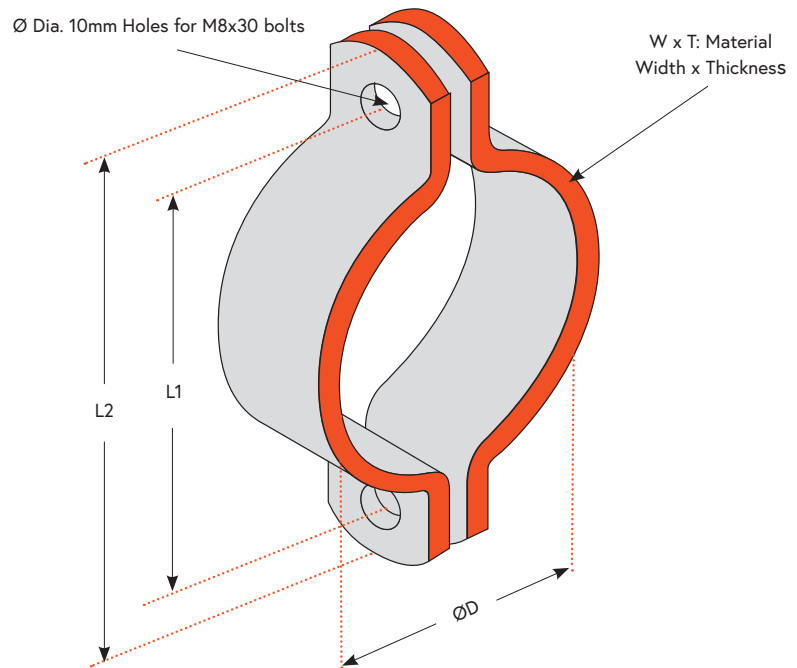
FDG Light Duty Saddle Clamp

Code	Ø Diameter	W x T	L1	L2	Steel Pipe Size	Capacity
FDG4-016G	16 mm	25 x 3	56 mm	80 mm	16 CU	0.8 kN
FDG4-019G	19 mm	25 x 3	59 mm	83 mm	20 CU	0.8 kN
FDG4-021G	21 mm	25 x 3	61 mm	85 mm	15 NB	0.8 kN
FDG4-025G	25 mm	25 x 3	65 mm	89 mm	25 CU	0.8 kN
FDG4-027G	27 mm	25 x 3	67 mm	91 mm	20 NB	0.8 kN
FDG4-032G	32 mm	25 x 3	72 mm	96 mm	32 CU	0.8 kN
FDG4-034G	34 mm	25 x 3	74 mm	98 mm	25 NB	0.8 kN
FDG4-038G	38 mm	25 x 3	78 mm	102 mm	38 CU	0.8 kN
FDG4-043G	43 mm	25 x 3	83 mm	107 mm	32 NB	0.8 kN
FDG4-048G	48 mm	25 x 3	88 mm	112 mm	40 NB	0.8 kN
FDG4-051G	51 mm	25 x 3	91 mm	115 mm	50 CU	0.8 kN
FDG4-060G	60 mm	25 x 3	100 mm	124 mm	50 NB	0.8 kN
FDG4-064G	64 mm	25 x 3	104 mm	128 mm	65 CU	0.8 kN
FDG4-073G	73 mm	25 x 3	113 mm	137 mm	65 NB	0.8 kN
FDG4-076G	76 mm	25 x 3	116 mm	140 mm	80 CU	0.8 kN
FDG4-089G	89 mm	25 x 3	129 mm	153 mm	80 NB	0.8 kN
FDG4-095G	95 mm	25 x 3	135 mm	159 mm	95 CU	0.8 kN
FDG4-102G	102 mm	25 x 3	142 mm	166 mm	100 CU	0.8 kN
FDG4-114G	114 mm	25 x 3	154 mm	178 mm	100 NB	0.8 kN

FDG Two-Piece Pipe Clamp

Light Duty

- **Safety Factor:** 2.5
- **Finish:** HDG or SS316

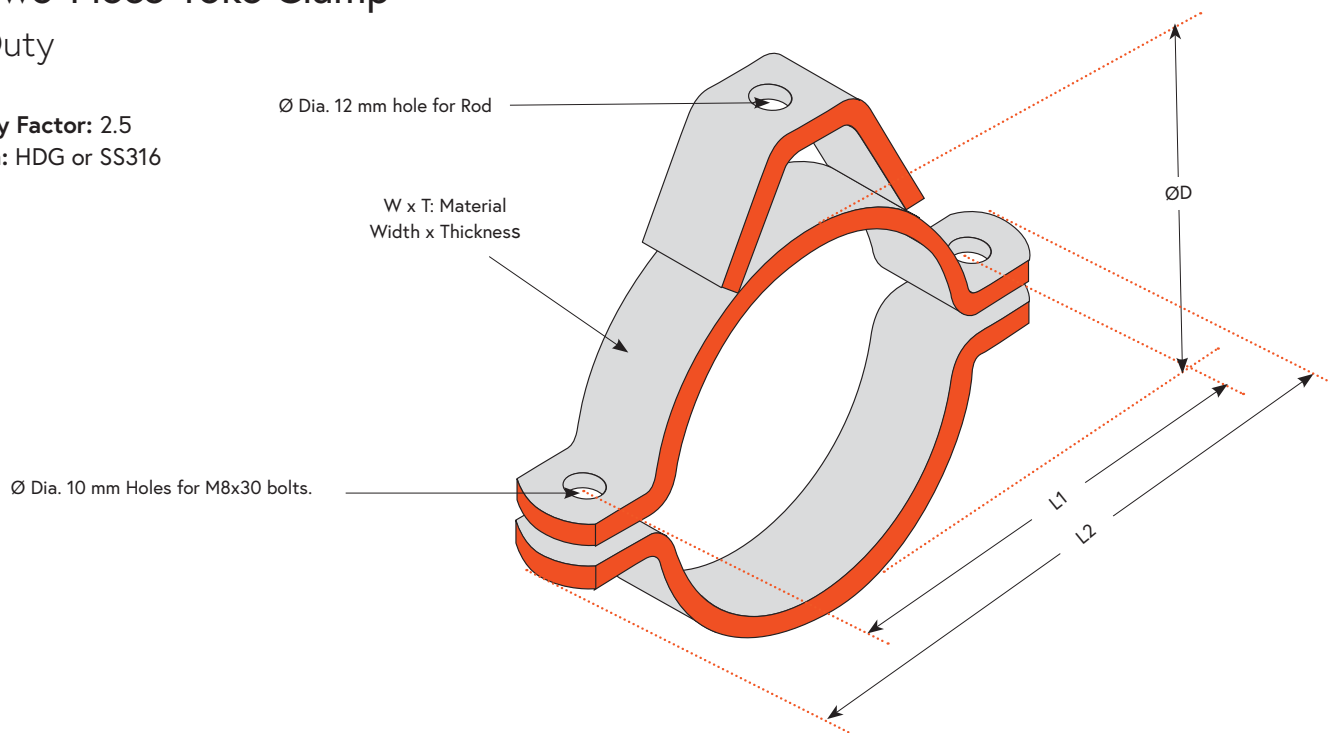


FDG Light Duty Two-Piece Pipe Clamp						
Code	Ø Diameter	W x T	L1	L2	Steel Pipe Size	Capacity
FDG6-019G	19 mm	25 x 3	59 mm	83 mm	20 CU	2.95 kN
FDG6-021G	21 mm	25 x 3	61 mm	85 mm	15 NB	2.95 kN
FDG6-025G	25 mm	25 x 3	65 mm	89 mm	25 CU	2.95 kN
FDG6-027G	27 mm	25 x 3	67 mm	91 mm	20 NB	2.95 kN
FDG6-032G	32 mm	25 x 3	72 mm	96 mm	32 CU	2.95 kN
FDG6-034G	34 mm	25 x 3	74 mm	98 mm	25 NB	2.95 kN
FDG6-038G	38 mm	25 x 3	78 mm	102 mm	38 CU	2.95 kN
FDG6-043G	43 mm	25 x 3	83 mm	107 mm	32 NB	2.95 kN
FDG6-048G	48 mm	25 x 3	88 mm	112 mm	40 NB	2.95 kN
FDG6-051G	51 mm	25 x 3	91 mm	115 mm	50 CU	2.95 kN
FDG6-060G	60 mm	25 x 3	100 mm	124 mm	50 NB	2.95 kN
FDG6-064G	64 mm	25 x 3	104 mm	128 mm	65 CU	2.95 kN
FDG6-073G	73 mm	25 x 3	113 mm	137 mm	65 NB	2.95 kN
FDG6-076G	76 mm	25 x 3	116 mm	140 mm	80 CU	2.95 kN
FDG6-089G	89 mm	25 x 3	129 mm	153 mm	80 NB	2.95 kN
FDG6-102G	102 mm	25 x 3	142 mm	166 mm	100 CU	2.95 kN
FDG6-114G	114 mm	25 x 3	154 mm	178 mm	100 NB	2.95 kN
FDG6-127G	127 mm	25 x 3	167 mm	191 mm	125 CU	2.95 kN
FDG6-140G	140 mm	25 x 3	180 mm	204 mm	125 NB	2.95 kN
FDG6-152G	152 mm	25 x 3	192 mm	216 mm	150 CU	2.95 kN
FDG6-168G	168 mm	25 x 3	205 mm	229 mm	150 NB	2.95 kN

FDG Two-Piece Yoke Clamp

Light Duty

- **Safety Factor:** 2.5
- **Finish:** HDG or SS316



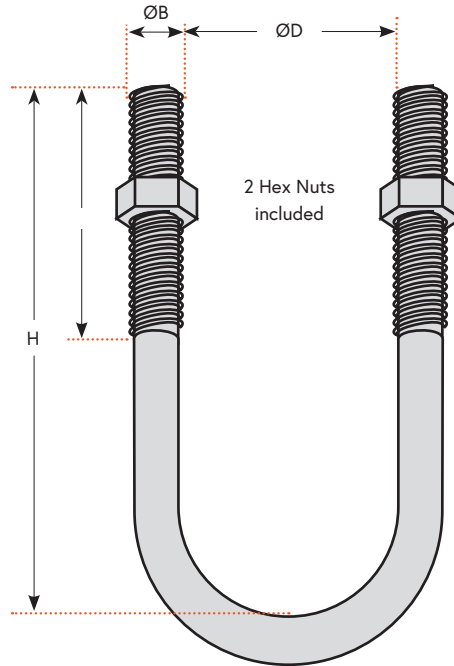
FDG Light Duty Two-Piece Yoke Clamp

Code	\varnothing Diameter	W x T	L1	L2	Steel Pipe Size	Capacity
FDG8-019G	19 mm	25 x 3.0	59 mm	83 mm	20 CU	1.75 kN
FDG8-021G	21 mm	25 x 3.0	61 mm	85 mm	15 NB	1.75 kN
FDG8-025G	25 mm	25 x 3.0	65 mm	89 mm	25 CU	1.75 kN
FDG8-027G	27 mm	25 x 3.0	67 mm	91 mm	20 NB	1.75 kN
FDG8-032G	32 mm	25 x 3.0	72 mm	96 mm	32 CU	1.75 kN
FDG8-034G	34 mm	25 x 3.0	74 mm	98 mm	25 NB	1.75 kN
FDG8-038G	38 mm	25 x 3.0	78 mm	102 mm	38 CU	1.75 kN
FDG8-043G	43 mm	25 x 3.0	83 mm	107 mm	32 NB	1.75 kN
FDG8-048G	48 mm	25 x 3.0	88 mm	112 mm	40 NB	1.75 kN
FDG8-051G	51 mm	25 x 3.0	91 mm	115 mm	50 CU	1.75 kN
FDG8-060G	60 mm	25 x 3.0	100 mm	124 mm	50 NB	1.75 kN
FDG8-064G	64 mm	25 x 3.0	104 mm	128 mm	65 CU	1.75 kN
FDG8-073G	73 mm	25 x 3.0	113 mm	137 mm	65 NB	1.75 kN
FDG8-076G	76 mm	25 x 3.0	116 mm	140 mm	80 CU	1.75 kN
FDG8-089G	89 mm	25 x 3.0	129 mm	153 mm	80 NB	1.75 kN
FDG8-102G	102 mm	25 x 3.0	142 mm	166 mm	100 CU	1.75 kN
FDG8-114G	114 mm	25 x 3.0	154 mm	178 mm	100 NB	1.75 kN
FDG8-127G	127 mm	25 x 3.0	167 mm	191 mm	125 CU	1.75 kN
FDG8-140G	140 mm	25 x 3.0	180 mm	204 mm	125 NB	1.75 kN
FDG8-152G	152 mm	25 x 3.0	192 mm	216 mm	150 CU	1.75 kN
FDG8-168G	168 mm	25 x 3.0	203 mm	229 mm	165 CU	1.75 kN

U-Bolts

[BACK TO CONTENTS](#)

- Finish: HDG or SS316

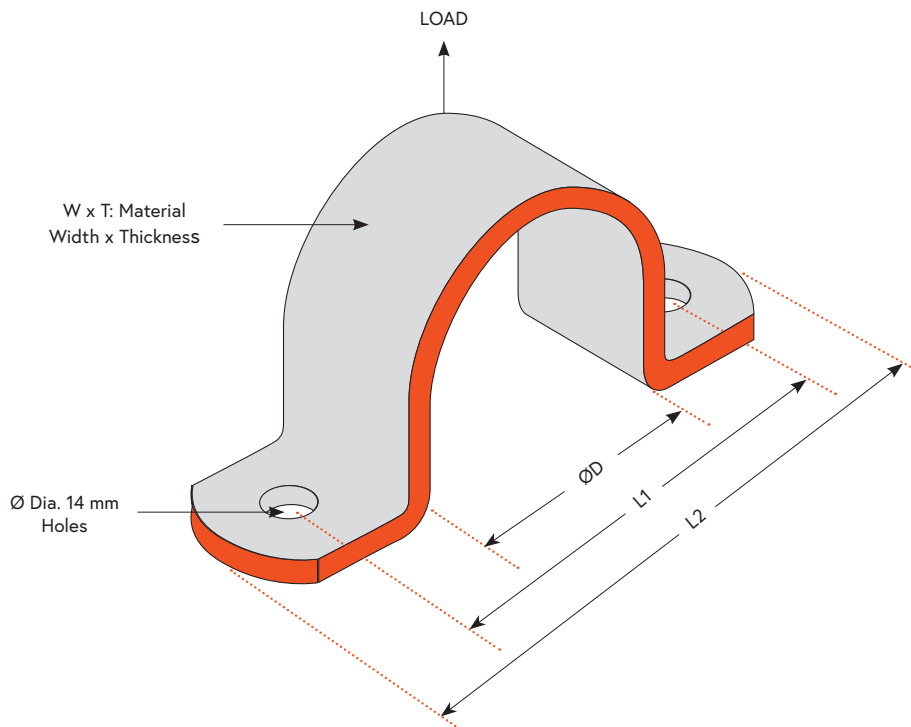


U-Bolts			
Code	\varnothing Diameter	B x H	Steel Pipe Size
FDG14-021G	21 mm	M10 x 65	15 NB
FDG14-027G	27 mm	M10 x 77	20 NB
FDG14-034G	34 mm	M10 x 85	25 NB
FDG14-043G	43 mm	M10 x 93	32 NB
FDG14-048G	48 mm	M10 x 100	40 NB
FDG14-051G	51 mm	M10 x 103	50 CU
FDG14-060G	60 mm	M10 x 110	50 NB
FDG14-076G	76 mm	M12 x 127	65 NB
FDG14-089G	89 mm	M12 x 140	80 NB
FDG14-102G	102 mm	M12 x 152	90 NB
FDG14-114G	114 mm	M12 x 165	100 NB
FDG14-140G	140 mm	M12 x 190	125 NB
FDG14-168G	168 mm	M12 x 220	150 NB
FDG14-219G	219 mm	M16 x 295	200 NB
FDG14-273G	273 mm	M20 x 370	250 NB
FDG14-324G	324 mm	M20 x 420	300 NB
FDG14-356G	356 mm	M20 x 455	350 NB
FDG14-406G	406 mm	M20 x 505	400 NB
FDG14-457G	457 mm	M24 x 555	450 NB
FDG14-508G	508 mm	M24 x 605	500 NB
FDG14-610G	610 mm	M24 x 710	600 NB

FDG Saddle Clamp

Medium Duty

- **Safety Factor:** 2.5
- **Finish:** HDG or SS316



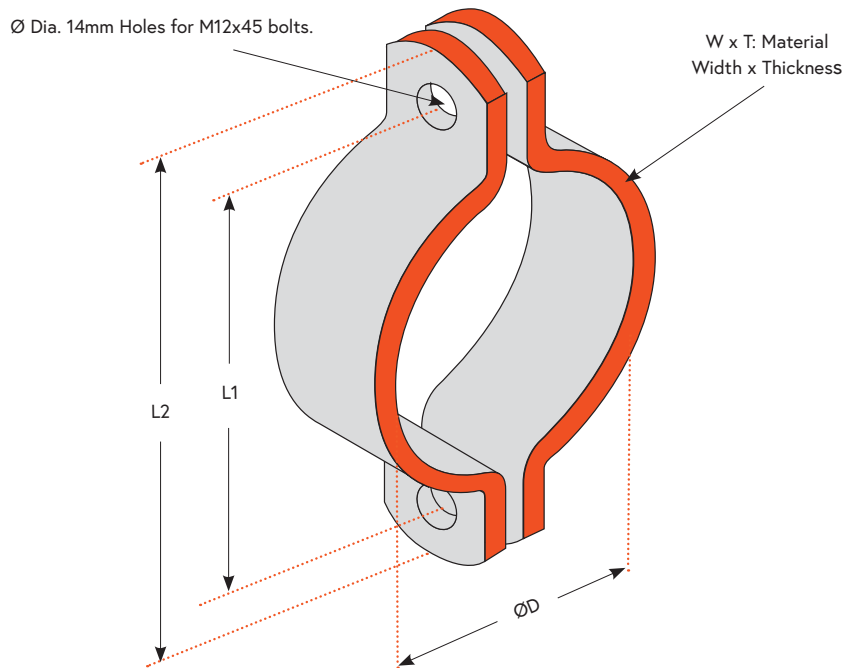
FDG Medium Duty Saddle Clamp						
Code	Ø Diameter	W x T	L1	L2	Steel Pipe Size	Capacity
FDG15-021G	21 mm	40 x 6	75 mm	115 mm	15 NB	6.25 kN
FDG15-027G	27 mm	40 x 6	81 mm	121 mm	20 NB	6.25 kN
FDG15-034G	34 mm	40 x 6	88 mm	128 mm	25 NB	6.25 kN
FDG15-043G	43 mm	40 x 6	97 mm	137 mm	32 NB	6.25 kN
FDG15-048G	48 mm	40 x 6	102 mm	142 mm	40 NB	6.25 kN
FDG15-051G	51 mm	40 x 6	105 mm	145 mm	50 CU	6.25 kN
FDG15-060G	60 mm	40 x 6	114 mm	154 mm	50 NB	6.25 kN
FDG15-076G	76 mm	40 x 6	130 mm	170 mm	65 NB	6.25 kN
FDG15-089G	89 mm	40 x 6	143 mm	183 mm	80 NB	6.25 kN
FDG15-102G	102 mm	40 x 6	156 mm	196 mm	90 NB	6.25 kN
FDG15-114G	114 mm	40 x 6	170 mm	210 mm	100 NB	6.25 kN
FDG15-140G	140 mm	40 x 6	196 mm	236 mm	125 NB	6.25 kN
FDG15-152G	152 mm	40 x 6	208 mm	248 mm	150 CU	6.25 kN
FDG15-168G	168 mm	40 x 6	224 mm	264 mm	150 NB	6.25 kN
FDG15-203G	203 mm	40 x 6	259 mm	299 mm	200 CU	6.25 kN
FDG15-219G	219 mm	40 x 6	275 mm	315 mm	200 NB	6.25 kN

FDG Two-Piece Pipe Clamp

Medium Duty

[BACK TO CONTENTS](#)

- **Safety Factor:** 2.5
- **Finish:** HDG or SS316

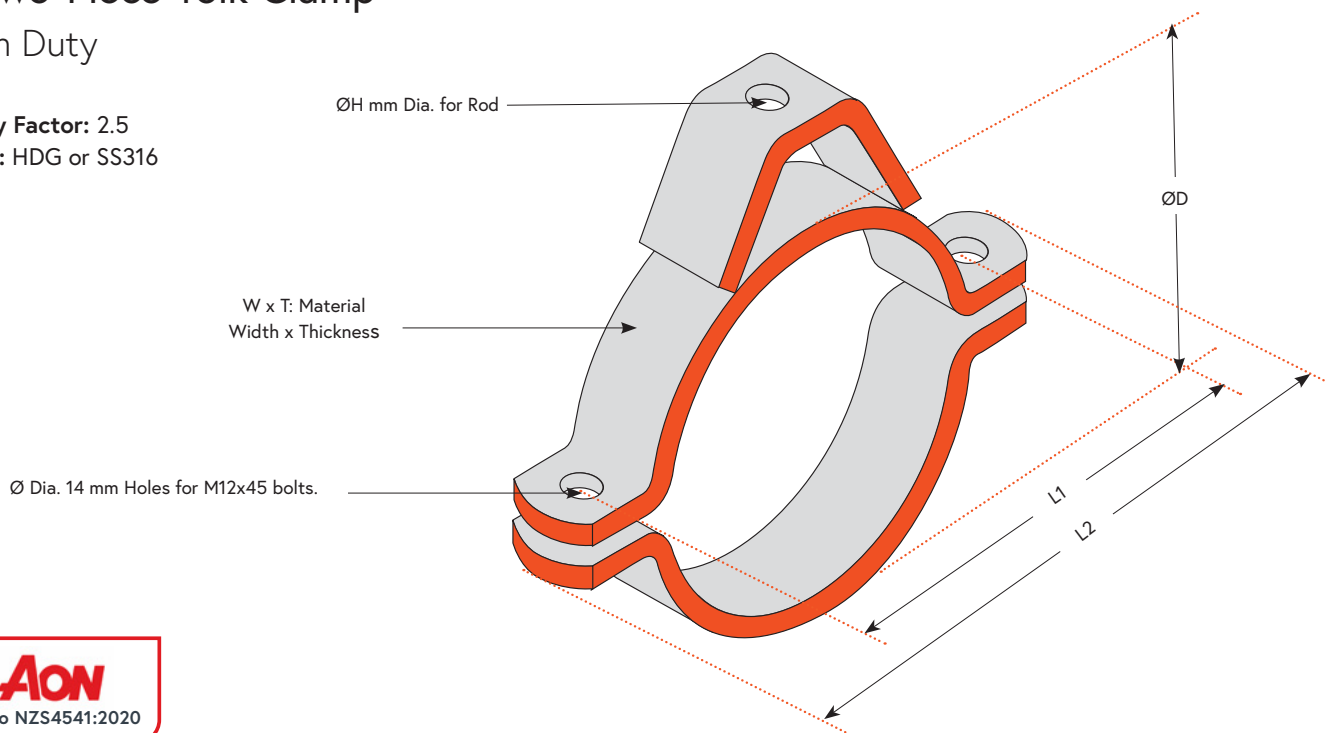


FDG Medium Duty Two-Piece Pipe Clamp						
Code	Ø Diameter	W x T	L1	L2	Steel Pipe Size	Capacity
FDG16-060G	60 mm	40 x 6	114 mm	154 mm	50 NB	7.25 kN
FDG16-076G	76 mm	40 x 6	130 mm	170 mm	65 NB	7.25 kN
FDG16-089G	89 mm	40 x 6	143 mm	183 mm	80 NB	7.25 kN
FDG16-102G	102 mm	40 x 6	156 mm	196 mm	100 CU	7.25 kN
FDG16-114G	114 mm	40 x 6	170 mm	210 mm	100 NB	7.25 kN
FDG16-127G	127 mm	40 x 6	181 mm	221 mm	125 CU	7.25 kN
FDG16-140G	140 mm	40 x 6	194 mm	234 mm	125 NB	7.25 kN
FDG16-152G	152 mm	40 x 6	206 mm	246 mm	150 CU	7.25 kN
FDG16-168G	168 mm	40 x 6	219 mm	259 mm	150 NB	7.25 kN
FDG16-178G	178 mm	40 x 6	232 mm	272 mm	175 CU	7.25 kN
FDG16-190G	190 mm	40 x 6	244 mm	284 mm	190 NS	7.25 kN
FDG16-203G	203 mm	40 x 6	257 mm	297 mm	200 CU	7.25 kN
FDG16-219G	219 mm	40 x 6	273 mm	313 mm	219 NB	7.25 kN
FDG16-230G	230 mm	40 x 6	284 mm	324 mm	230 CU	7.25 kN
FDG16-240G	240 mm	40 x 6	294 mm	334 mm	240 CU	7.25 kN
FDG16-250G	250 mm	40 x 6	304 mm	344 mm	250 CU	7.25 kN
FDG16-273G	273 mm	40 x 6	327 mm	367 mm	250 NB	7.25 kN
FDG16-324G	324 mm	40 x 6	378 mm	418 mm	300 NB	7.25 kN

FDG Two-Piece Yolk Clamp

Medium Duty

- **Safety Factor:** 2.5
- **Finish:** HDG or SS316



Listed By **AON**
Complies to NZS4541:2020

FDG Medium Duty Two-Piece Yolk Clamp

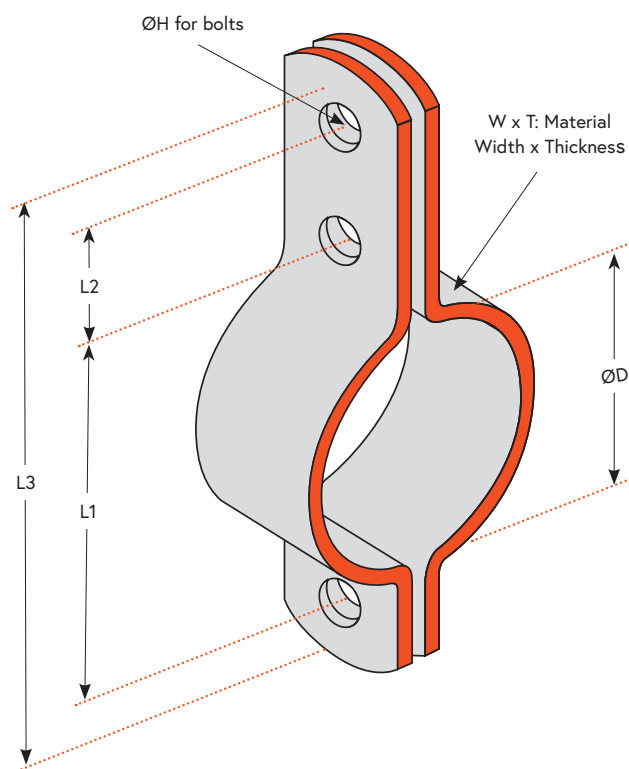
Code	Ø Diameter	W x T	L1	L2	Ø H	Steel Pipe Size	Capacity
FDG18-060G	60 mm	40 x 6	114 mm	154 mm	14 mm	50 NB	5.70 kN
FDG18-076G	76 mm	40 x 6	130 mm	170 mm	14 mm	65 NB	5.70 kN
FDG18-089G	89 mm	40 x 6	143 mm	183 mm	14 mm	80 NB	5.70 kN
FDG18-102G	102 mm	40 x 6	156 mm	196 mm	14 mm	100 CU	5.70 kN
FDG18-114G	114 mm	40 x 6	170 mm	210 mm	14 mm	100 NB	5.70 kN
FDG18-127G	127 mm	40 x 6	181 mm	221 mm	14 mm	125 CU	5.70 kN
FDG18-140G	140 mm	40 x 6	194 mm	234 mm	14 mm	125 NB	5.70 kN
FDG18-152G	152 mm	40 x 6	206 mm	246 mm	14 mm	152 CU	5.70 kN
FDG18-168G	168 mm	40 x 6	219 mm	259 mm	14 mm	150 NB	5.70 kN
FDG18-178G	178 mm	40 x 6	232 mm	272 mm	14 mm	175 CU	5.70 kN
FDG18-203G	203 mm	40 x 6	257 mm	297 mm	18 mm	200 CU	5.70 kN
FDG18-219G	219 mm	40 x 6	273 mm	313 mm	18 mm	200 NB	5.70 kN
FDG18-230G	230 mm	40 x 6	284 mm	324 mm	18 mm	230 CU	5.70 kN

FDG Three-Bolt Pipe Clamp

Medium Duty

[BACK TO CONTENTS](#)

- **Safety Factor:** 2.5
- **Finish:** HDG or SS316

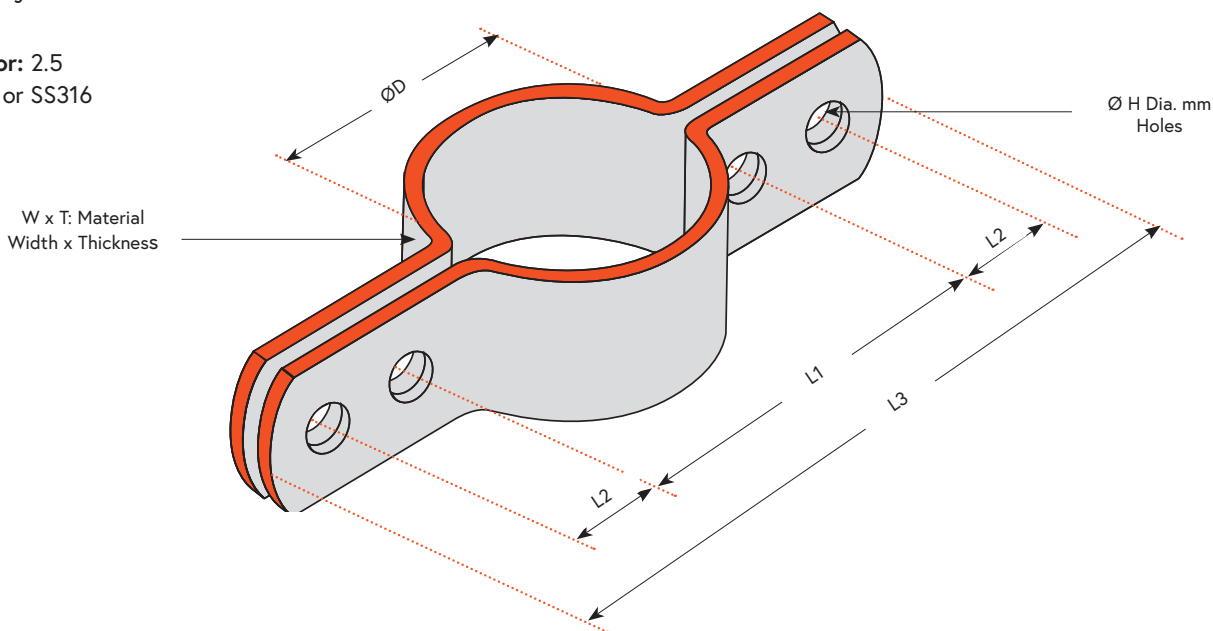


FDG Medium Duty Three-Bolt Pipe Clamp								
Code	Ø Diameter	W x T	L1	L2	L3	Ø H x L	Steel Pipe Size	Capacity
FDG20-021G	21 mm	25 x 5	71 mm	48 mm	159 mm	M10 x 30	15 NB	5.00 kN
FDG20-027G	27 mm	25 x 5	77 mm	48 mm	165 mm	M10 x 30	20 NB	5.00 kN
FDG20-034G	34 mm	40 x 6	88 mm	48 mm	176 mm	M12 x 45	25 NB	7.25 kN
FDG20-043G	43 mm	40 x 6	97 mm	48 mm	185 mm	M12 x 45	32 NB	7.25 kN
FDG20-048G	48 mm	40 x 6	102 mm	48 mm	190 mm	M12 x 45	40 NB	7.25 kN
FDG20-060G	60 mm	50 x 6	122 mm	48 mm	210 mm	M16 x 50	50 NB	11.50 kN
FDG20-076G	76 mm	50 x 6	138 mm	48 mm	226 mm	M16 x 50	65 NB	11.50 kN
FDG20-089G	89 mm	50 x 6	151 mm	48 mm	239 mm	M16 x 50	80 NB	11.50 kN
FDG20-114G	114 mm	75 x 10	200 mm	75 mm	339 mm	M20 x 60	100 NB	20.10 kN
FDG20-140G	140 mm	75 x 10	226 mm	75 mm	365 mm	M20 x 60	125 NB	20.10 kN
FDG20-168G	168 mm	75 x 10	251 mm	75 mm	390 mm	M20 x 60	150 NB	20.10 kN
FDG20-219G	219 mm	75 x 10	305 mm	75 mm	444 mm	M24 x 60	200 NB	28.80 kN
FDG20-273G	273 mm	75 x 10	359 mm	75 mm	498 mm	M24 x 60	250 NB	28.80 kN
FDG20-324G	324 mm	75 x 10	410 mm	75 mm	549 mm	M24 x 60	300 NB	28.80 kN
FDG20-356G	356 mm	75 x 16	464 mm	100 mm	628 mm	M30 x 80	350 NB	45.20 kN
FDG20-406G	406 mm	75 x 16	514 mm	100 mm	678 mm	M30 x 80	400 NB	45.20 kN
FDG20-457G	457 mm	75 x 20	587 mm	100 mm	763 mm	M36 x 100	450 NB	45.20 kN
FDG20-508G	508 mm	75 x 20	638 mm	100 mm	814 mm	M36 x 100	500 NB	45.20 kN
FDG20-610G	610 mm	75 x 20	740 mm	100 mm	916 mm	M36 x 100	600 NB	45.20 kN

FDG Vertical Pipe Clamp

Medium Duty

- **Safety Factor:** 2.5
- **Finish:** HDG or SS316



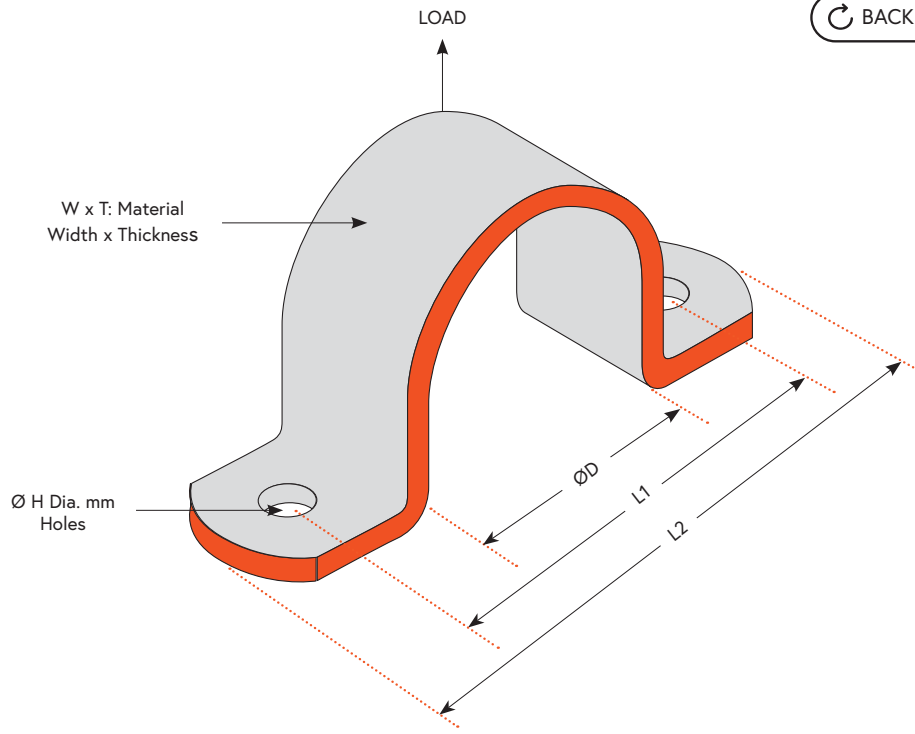
FDG Medium Duty Vertical Pipe Clamp								
Code	Ø Diameter	W x T	L1	L2	L3	Ø H x L	Steel Pipe Size	Capacity
FDG21-21G	21 mm	32 x 5	71 mm	48 mm	207 mm	M10 x 35	15 NB	1.10 kN
FDG21-27G	27 mm	32 x 5	77 mm	48 mm	213 mm	M10 x 35	20 NB	1.10 kN
FDG21-34G	34 mm	32 x 5	84 mm	48 mm	220 mm	M10 x 35	25 NB	1.10 kN
FDG21-43G	43 mm	32 x 5	93 mm	48 mm	229 mm	M10 x 35	32 NB	1.10 kN
FDG21-48G	48 mm	40 x 6	102 mm	48 mm	238 mm	M12 x 40	40 NB	1.80 kN
FDG21-60G	60 mm	40 x 6	114 mm	48 mm	250 mm	M12 x 40	50 NB	1.80 kN
FDG21-76G	76 mm	50 x 6	130 mm	48 mm	266 mm	M12 x 40	65 NB	1.80 kN
FDG21-89G	89 mm	50 x 6	143 mm	48 mm	278 mm	M12 x 40	80 NB	2.20 kN
FDG21-114G	114 mm	50 x 6	168 mm	48 mm	304 mm	M12 x 40	100 NB	2.20 kN
FDG21-140G	140 mm	50 x 6	194 mm	48 mm	330 mm	M12 x 40	125 NB	2.20 kN
FDG21-168G	168 mm	75 x 10	254 mm	75 mm	468 mm	M16 x 60	150 NB	9.70 kN
FDG21-219G	219 mm	75 x 10	305 mm	75 mm	519 mm	M16 x 60	200 NB	9.70 kN
FDG21-273G	273 mm	75 x 10	359 mm	75 mm	573 mm	M16 x 60	250 NB	9.70 kN
FDG21-324G	324 mm	75 x 10	410 mm	75 mm	624 mm	M16 x 60	300 NB	10.80 kN
FDG21-356G	356 mm	75 x 10	448 mm	75 mm	662 mm	M16 x 60	350 NB	10.80 kN
FDG21-406G	406 mm	90 x 12	498 mm	75 mm	712 mm	M20 x 75	400 NB	11.70 kN
FDG21-457G	457 mm	90 x 12	565 mm	75 mm	779 mm	M20 x 75	450 NB	11.70 kN
FDG21-508G	508 mm	90 x 12	616 mm	75 mm	830 mm	M20 x 75	500 NB	11.70 kN

FDG Saddle Clamp

Heavy Duty

[BACK TO CONTENTS](#)

- **Safety Factor:** 2.5
- **Finish:** HDG or SS316

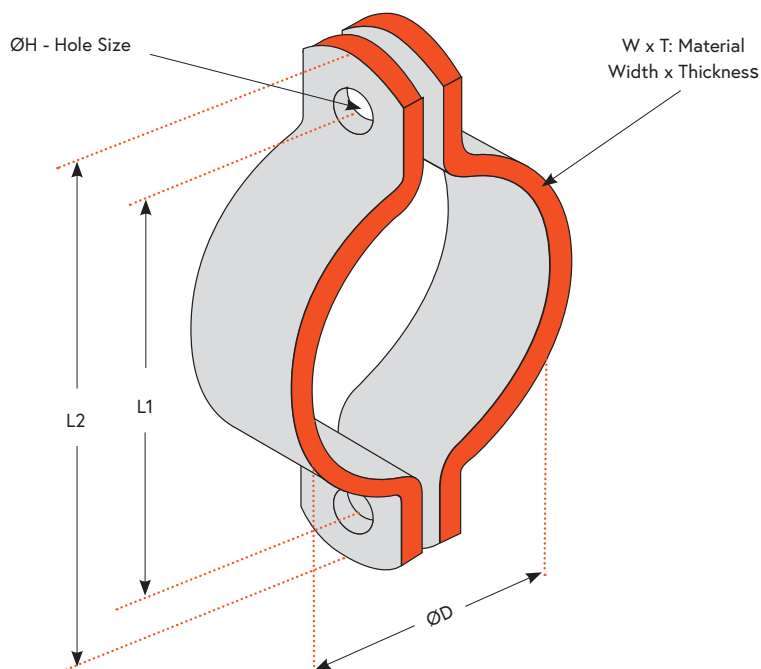


FDG Heavy Duty Saddle Clamp							
Code	Ø Diameter	W x T	L1	L2	Ø H	Steel Pipe Size	Capacity
FDG30-168G	168 mm	75 x 10	260 mm	324 mm	22 mm	150 NB	10.50 kN
FDG30-219G	219 mm	75 x 10	310 mm	375 mm	22 mm	200 NB	10.50 kN
FDG30-273G	273 mm	75 x 10	364 mm	428 mm	22 mm	250 NB	10.50 kN
FDG30-324G	324 mm	75 x 10	415 mm	479 mm	22 mm	300 NB	10.50 kN
FDG30-356G	356 mm	75 x 10	447 mm	511 mm	22 mm	350 NB	10.50 kN
FDG30-406G	406 mm	90 x 12	497 mm	561 mm	26 mm	400 NB	18.95 kN
FDG30-457G	457 mm	90 x 12	548 mm	612 mm	26 mm	450 NB	18.95 kN
FDG30-508G	508 mm	90 x 12	600 mm	663 mm	26 mm	500 NB	18.95 kN

FDG Two-Piece Pipe Clamp

Heavy Duty

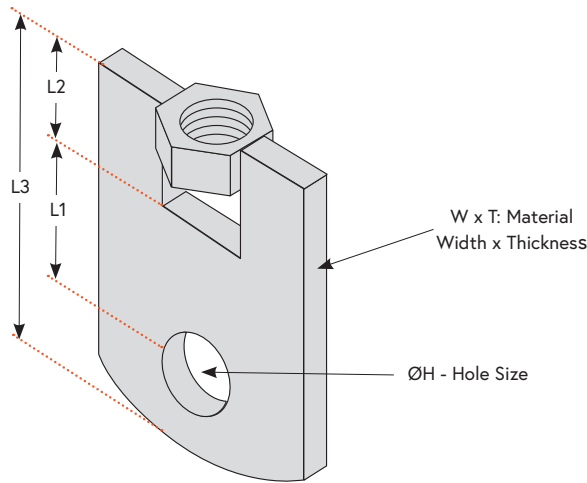
- **Safety Factor:** 2.5
- **Finish:** HDG or SS316



FDG Heavy Duty Two-Piece Pipe Clamp							
Code	Ø Diameter	W x T	L1	L2	Ø H	Steel Pipe Size	Capacity
FDG31-168G	168 mm	75 x 10	254 mm	318 mm	22 mm	150 NB	20.50 kN
FDG31-219G	219 mm	75 x 10	305 mm	369 mm	22 mm	200 NB	20.50 kN
FDG31-273G	273 mm	75 x 10	359 mm	423 mm	22 mm	250 NB	20.50 kN
FDG31-324G	324 mm	75 x 10	410 mm	474 mm	22 mm	300 NB	20.50 kN
FDG31-356G	356 mm	75 x 12	448 mm	512 mm	26 mm	350 NB	28.75 kN
FDG31-406G	406 mm	75 x 12	498 mm	562 mm	26 mm	400 NB	28.75 kN
FDG31-457G	457 mm	75 x 16	565 mm	629 mm	32 mm	450 NB	45.30 kN
FDG31-508G	508 mm	75 x 16	616 mm	680 mm	32 mm	500 NB	45.30 kN
FDG31-610G	610 mm	75 x 16	718 mm	782 mm	32 mm	600 NB	45.30 kN

Eye Nuts

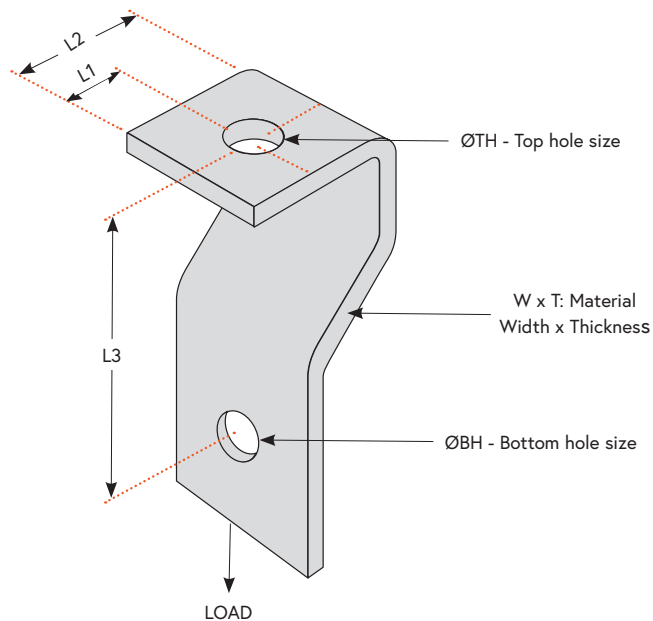
- **Safety Factor:** 2.5
- **Finish:** HDG or SS316



Eye Nuts							
Code	Thread	W x T	L1	L2	L3	Ø H	Capacity
FDG35-12-M10	M10	40 x 6	20 mm	30 mm	70 mm	14 mm	3.60 kN
FDG35-16-M12	M12	75 x 10	25 mm	30 mm	80 mm	18 mm	5.80 kN
FDG35-20-M16	M16	90 x 12	30 mm	35 mm	90 mm	22 mm	9.75 kN
FDG35-24-M20	M20	90 x 12	30 mm	35 mm	90 mm	26 mm	14.50 kN
FDG35-30-M24	M24	100 x 20	35 mm	50 mm	120 mm	32 mm	21.80 kN
FDG35-36-M30	M30	130 x 20	40 mm	60 mm	140 mm	38 mm	32.50 kN

Clevis Hanger

- **Safety Factor:** 2.5
- **Finish:** HDG or SS316

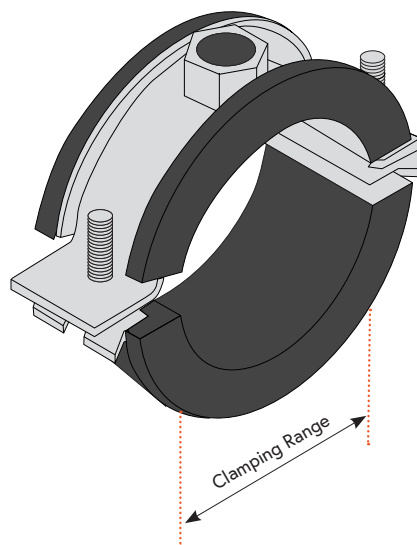


Clevis Hanger							
Code	W x T	L1	L2	L3	Ø TH	Ø BH	Capacity
FDG-10	25 x 5	15 mm	35 mm	70 mm	10 mm	12 mm	1.75 kN
FDG-12	40 x 5	20 mm	45 mm	75 mm	14 mm	14 mm	2.20 kN
FDG-16	50 x 5	20 mm	48 mm	100 mm	14 mm	18 mm	2.55 kN
FDG-20	75 x 10	32 mm	62 mm	112 mm	22 mm	22 mm	9.00 kN

FDG Rubber Lined Quick-Lock Boss Clamp

Light Duty

- **Safety Factor:** 1.5
- **Finish:** Zinc Plate (ZP), Dacromate (D) and Stainless Steel 316 (A4)



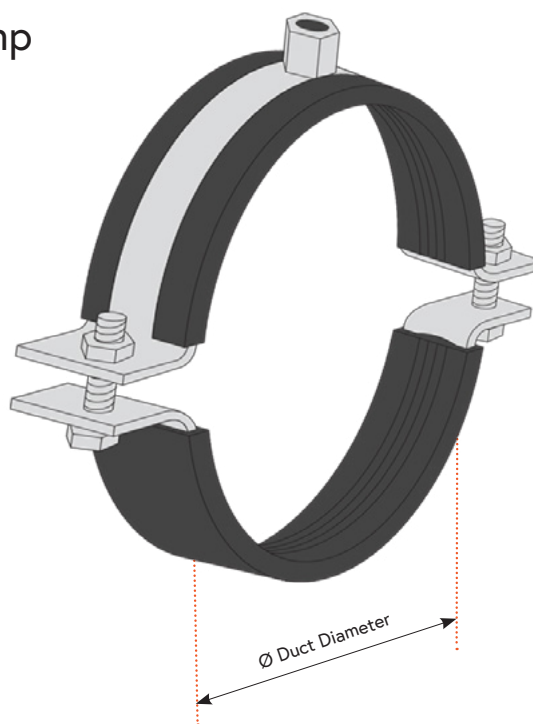
FDG Light Duty Rubber Lined Quick-Lock Boss Clamp									
Code	Clamping Range	Capacity	Pipe Size						
			Copper	PVC	PEX	PE	Steel	Class D	S/Steel
HCPB12-14	12-14 mm	1.20 kN	15						
HCPB15-19	15-19 mm	1.20 kN			16				15
HCPB21-23	21-23 mm	1.20 kN	20		20	20	15	15	22
HCPB26-28	26-28 mm	1.20 kN	25		25	25	20	20	28
HCPB32-35	32-35 mm	1.20 kN	32	32	32	32	25	25	35
HCPB38-45	38-45 mm	1.20 kN	40	40	40	40	32	32	42
HCPB48-56	48-56 mm	1.20 kN	50	50	50	50	40	40	54
HCPB57-61	57-61 mm	1.20 kN	65				50	50	
HCPB63-65	63-70 mm	1.20 kN		65		63			
HCPB74-80	74-80 mm	1.20 kN	80			75	65	65	76-1
HCPB83-91	83-91 mm	1.20 kN		80		90	80	80	88-9
HCPB100-105	100-105 mm	1.50 kN	100						
HCPB108-114	108-114 mm	1.50 kN		100		110			108
HCPB115-125	115-125 mm	1.50 kN	125			125	100	100	
HCPB159-169	159-169 mm	1.50 kN	150	150		160	150	150	
HCPB204-210	204-210 mm	1.50 kN	200	175		200			
HCPB210-219	210-219 mm	1.50 kN					200	200	200

FDG Rubber Lined Duct Clamp

Light Duty

[BACK TO CONTENTS](#)

- **Safety Factor:** 1.5
- **Finish:** Zinc Plate (ZP)



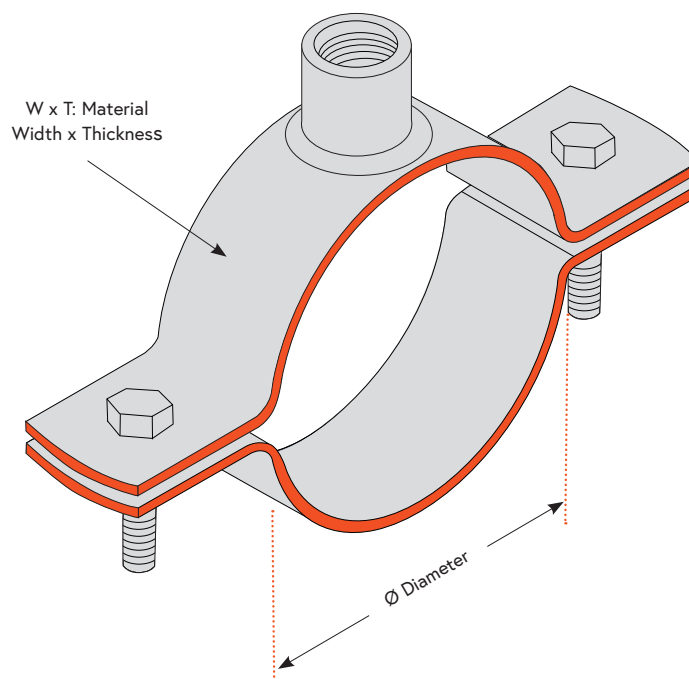
FDG Light Duty Rubber Lined Duct Clamp

Code	Ø Duct Diameter	Capacity
HCDB150ZP	150 mm	0.8 kN
HCDB200ZP	200 mm	0.8 kN
HCDB250ZP	250 mm	0.8 kN
HCDB300ZP	300 mm	0.8 kN
HCDB350ZP	350 mm	0.8 kN
HCDB400ZP	400 mm	1.5 kN
HCDB450ZP	450 mm	1.5 kN
HCDB500ZP	500 mm	1.5 kN
HCDB550ZP	550 mm	1.5 kN
HCDB600ZP	600 mm	1.5 kN
HCDB650ZP	650 mm	1.5 kN
HCDB750ZP	750 mm	1.5 kN
HCDB800ZP	800 mm	1.5 kN
HCDB900ZP	900 mm	1.5 kN
HCDB1000ZP	1000 mm	1.5 kN

*Other materials and finishes available on request.

FDG Welded Boss Clamp Medium Duty

- **Safety Factor:** 2.5
- **Finish:** Zinc Plate (ZP) and HDG



FDG Medium Duty Welded Boss Clamp					
Stock Code	Ø Diameter	W x T	Boss Size	Steel Pipe Size	Capacity
HCDB15-AON	21 mm	25 x 2.0	M10	15 NB	1.00 kN
HCDB20-AON	27 mm	25 x 2.0	M10	20 NB	1.00 kN
HCDB25-AON	34 mm	25 x 2.0	M10	25 NB	1.00 kN
HCDB32-AON	43 mm	25 x 2.0	M10	32 NB	1.00 kN
HCDB40-AON	48 mm	25 x 2.0	M10	40 NB	1.00 kN
HCDB50-AON	60 mm	25 x 2.5	M10	50 NB	1.50 kN
HCDB65-AON	76 mm	25 x 2.5	M10	65 NB	1.50 kN
HCDB80-AON	89 mm	25 x 2.5	M10	80 NB	1.50 kN
HCDB100-AON	115 mm	25 x 3.0	M10	100 NB	2.00 kN
HCDB125-AON	140 mm	25 x 3.0	M10	125 NB	2.00 kN
HCDB150-AON	168 mm	25 x 3.0	M10	150 NB	2.00 kN
HCDB175G	200 mm	25 x 3.0	M10/M12	175 PVC	2.80 kN
HCDB225G	250 mm	25 x 3.0	M10/M12	225 PVC	2.80 kN

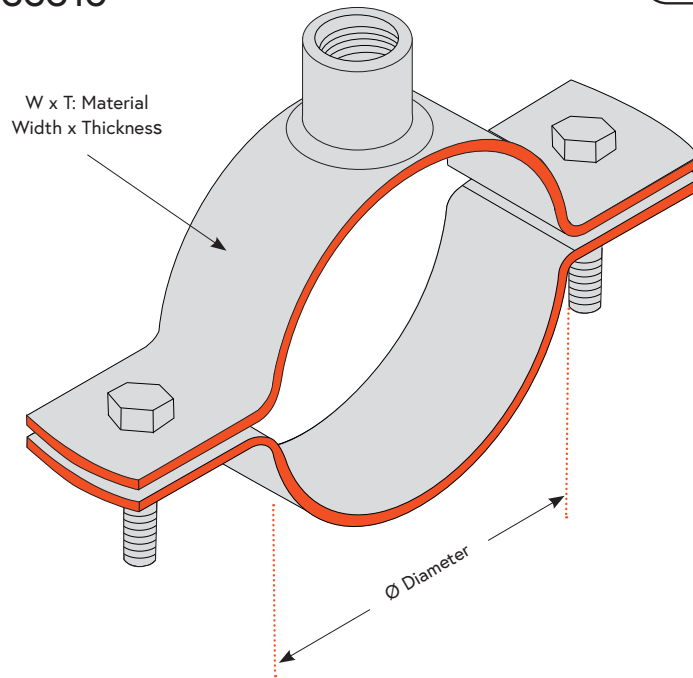
*Able to be rubber lined on request.
*Available on request with M12 Boss.

FDG Welded Boss Clamp — SS316

Medium Duty

[BACK TO CONTENTS](#)

- **Safety Factor:** 2.5
- **Finish:** Stainless Steel SS316 (A4)



Listed By **AON**
Complies to NZS4541:2013

FDG Medium Duty Welded Boss Clamp - SS316

Stock Code	Ø Diameter	W x T	Boss Size	Steel Pipe Size	Capacity
HCDB15A4-AON	21 mm	25 x 2.0	M10	15 NB	1.85 kN
HCDB20A4-AON	27 mm	25 x 2.0	M10	20 NB	1.85 kN
HCDB25A4-AON	34 mm	25 x 2.0	M10	25 NB	1.85 kN
HCDB32A4-AON	43 mm	25 x 2.0	M10	32 NB	1.85 kN
HCDB40A4-AON	48 mm	25 x 2.0	M10	40 NB	1.85 kN
HCDB50A4-AON	60 mm	25 x 2.5	M10	50 NB	2.30 kN
HCDB65A4-AON	76 mm	25 x 2.5	M10	65 NB	2.30 kN
HCDB80A4-AON	89 mm	25 x 2.5	M10	80 NB	2.30 kN
HCDB100A4-AON	115 mm	25 x 3.0	M10	100 NB	2.80 kN
HCDB125A4-AON	140 mm	25 x 3.0	M10	125 NB	2.80 kN
HCDB150A4-AON	168 mm	25 x 3.0	M10	150 NB	2.80 kN
HCDB175GA4	200 mm	25 x 3.0	M10/M12	175 PVC	2.80 kN
HCDB225GA4	250 mm	25 x 3.0	M10/M12	225 PVC	2.80 kN

*Able to be rubber lined on request.
*Available on request with M12 Boss.



sales@fdgnz.com

20 Mansel Dr, Warkworth, Auckland 0910 New Zealand

09-275-6811